

I N S T E  N

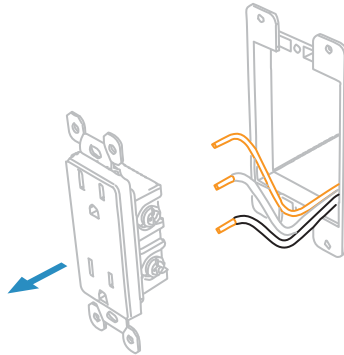
Getting Started with Insteon On/Off Outlet



Get Started

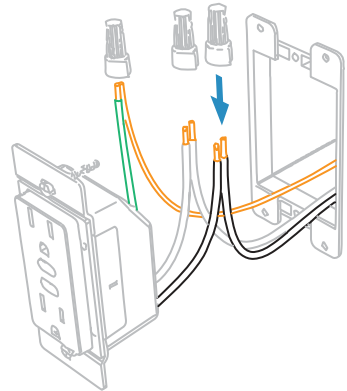
insteon.com/get-started-2663-222

- 1 **Turn off power** at the service panel and remove the existing wall outlet.



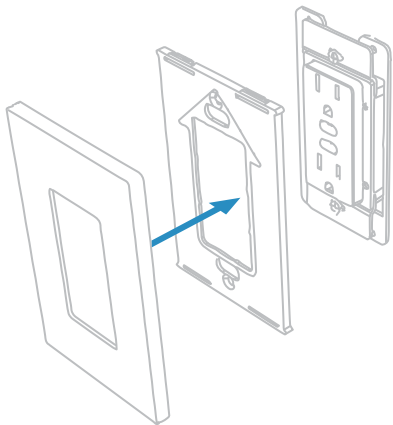
Installation to be performed only
by a qualified person.

- 2 Connect the corresponding wires from the junction box to the Insteon Wall Outlet and cap them with wire nuts.



Additional wiring diagrams available at
insteon.com/get-started-2663-222

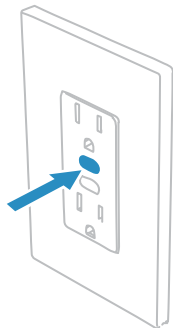
- 3 Install the Insteon Wall Outlet, attach the wall plate and **turn on power.**



- 4 Follow the on-screen instructions in the Insteon app to add On/Off Outlet.



- 5 When prompted, press and hold On/Off Outlet's set button until you hear a double-beep.



For more documentation, visit:
insteon.com/get-started-2663-222