

I N S T E O N[®]

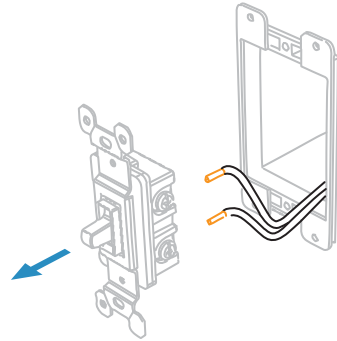
Getting Started with Insteon On/Off Keypad (6-Button)



Get Started

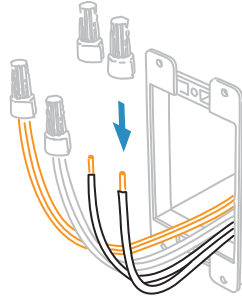
insteon.com/get-started-2487s

- 1 **Turn off power** at the service panel and remove the existing wall switch.

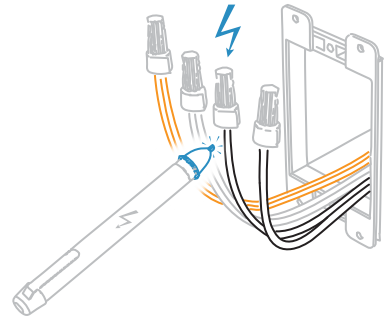


Installation to be performed only
by a qualified person.

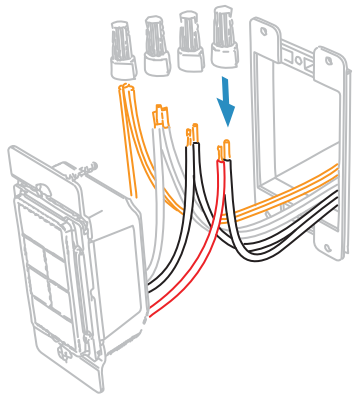
- 2 **Unfold all of the wires** from within the junction box. Separate the black wires and cap them with wire nuts.



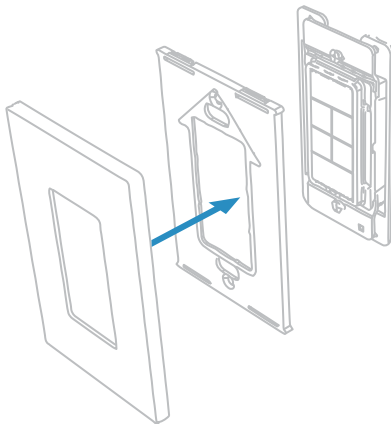
- 3 **Turn on power** and use a voltage detector to identify the live wire; this is your line wire.



- 4 **Turn off power** and connect the corresponding wires from the junction box with the Insteon Wall Keypad and cap them with wire nuts.



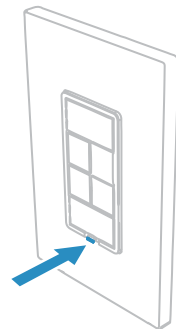
- 5 Install the Insteon Wall Keypad, attach the wall plate and **turn on power**.



- 6 Follow the instructions in the Insteon app to add On/Off Keypad.



- 7 When prompted, press and hold On/Off Keypad's set button until you hear a double-beep.



Additional wiring diagrams available at
insteon.com/get-started-2487s

For more documentation, visit:
insteon.com/get-started-2487s