

Quick Start Guide

Ballast Dimmer

INSTEON® Remote Control 0-10VDC Ballast Dimmer or Dual Switch

Model: 2475DA2 (US), 2446-422 (EU), 2446-522 (AUS/NZ)

About Ballast Dimmer

This in-line ballast control module supports two different operational modes: dimmer and dual-relay. For use in new construction or retrofit (inside or outside the fixture) where saving energy is a priority.



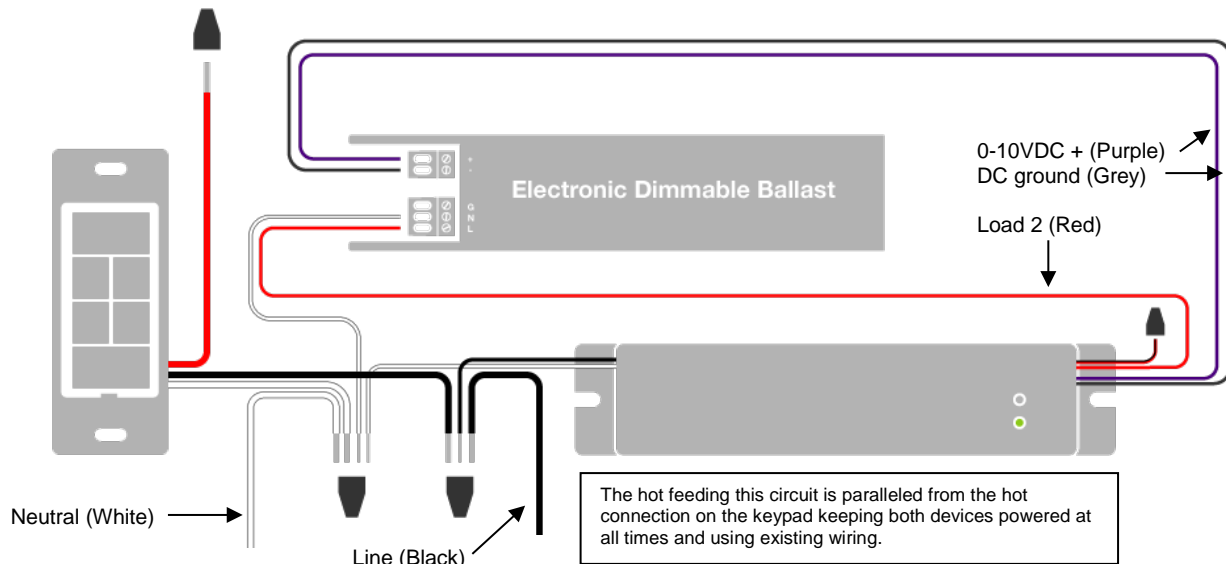
RJ-10 Mini-modular jack pin-outs:

Pin 4 (Left side)	Pin 3	Pin 2	Pin 1	
Ground	Group 1 - 2	Group 3-4	12-15VDC	Group 1: triggers when switch between pin 3 & 4 is closed Group 2: triggers when switch between pin 3 & 4 is opened Group 3: triggers when switch between pin 2 & 4 is closed Group 4: triggers when switch between pin 2 & 4 is opened

Install Ballast Dimmer for Dimmable Ballast

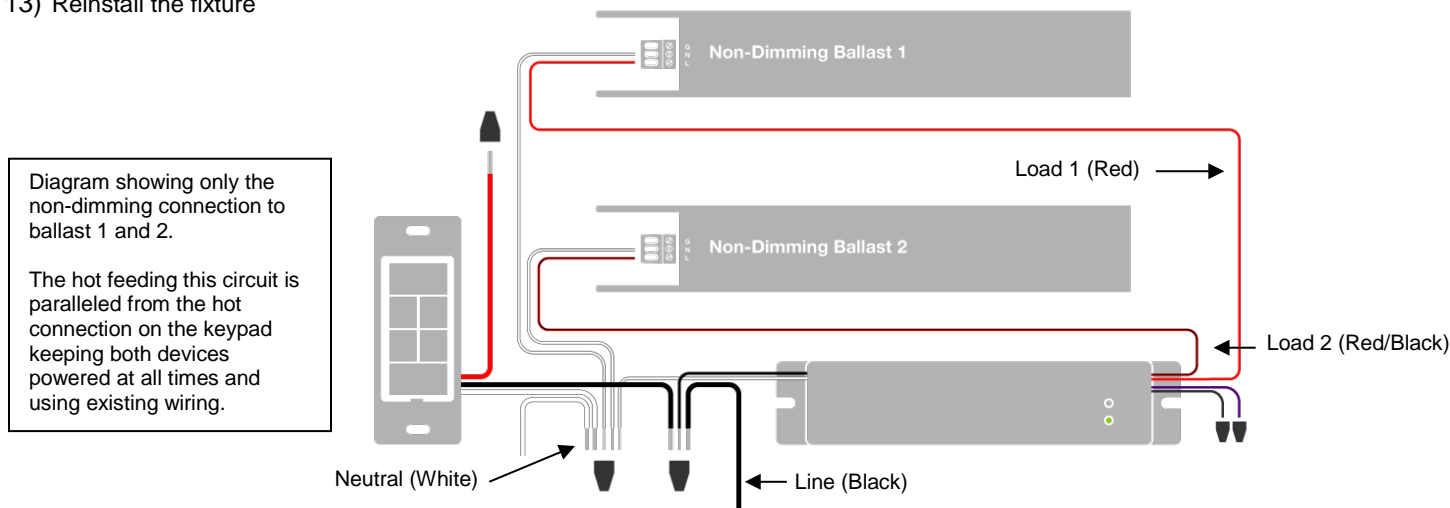
Note: use with branch circuit breakers 15 Amperes or fewer.

- 1) Write down the INSTEON ID found on the front of the unit (XX.XX.XX)
- 2) Turn off breaker/fuse and verify that the power is off
- 3) Disconnect wires from existing switch
- 4) Connect wires per diagram
- 5) At the ballast location, disconnect the wires from the fixture you will be controlling and ensure that you have ½ inch of bare wire on the ends
- 6) See the diagram to identify and connect the line, load, neutral DC(+) and DC(-) wires on Ballast Dimmer. Be sure you have correctly identified the wires in the junction box before connecting them.
- 7) After ensuring wires are firmly connected and that there is no exposed wire, turn on breaker/fuse
After a few seconds, load will turn on
- 8) Test Ballast Dimmer connection by tapping set button a couple times
Ballast Dimmer load will respond appropriately
- 9) Link Ballast Dimmer to your INSTEON keypad or other INSTEON controller. See Make Ballast Dimmer a Responder.
- 10) Gently place Ballast Dimmer into the fixture box, making sure nothing could accidentally press on the set button
- 11) Reinstall the fixture



Install Ballast Dimmer for Dual Relay

- 1) Write down the INSTEON ID found on the front of the unit (XX.XX.XX)
- 2) Turn off breaker/fuse and verify that the power is off
- 3) Disconnect wires from existing switch
- 4) Connect the wires per diagram
- 5) At the ballast location, disconnect the wires from the fixture you will be controlling and ensure that you have ½ inch of bare wire on the ends
- 6) See the diagram to identify and connect the line, load 1, load 2 and neutral wires on Ballast Dimmer. Be sure you have correctly identified the wires in the junction box before connecting them.
- 7) Place wire nuts on the unused gray and purple wires
- 8) After ensuring wires are firmly connected and that there is no exposed wire, turn on breaker/fuse
After a few seconds, load will turn on
- 9) Change to dual relay mode:
 - a. Press and hold set button until it beeps
LED will start blinking green
 - b. Tap set button twice
Ballast Dimmer will beep once and LED will stop blinking
- 10) Test the Ballast Dimmer connection by tapping set button a couple times
- 11) Link Ballast Dimmer to your INSTEON keypad or other INSTEON controller. See Make Ballast Dimmer a Responder.
- 12) Gently place Ballast Dimmer into the fixture box, making sure nothing could accidentally press the set button
- 13) Reinstall the fixture



Make Ballast Dimmer a Responder

- 1) Use Ballast Dimmer set button to set the load to the state you wish to activate from the controller (turn it on if you wish it to be on when the controller activates the scene, etc.)
- 2) Press and hold the scene controller button until it beeps¹
- 3) Press and hold Ballast Dimmer set button until it double-beeps
Controller will double-beep² and its LED will stop blinking
- 4) Test by tapping controller button on and off
Load connected to Ballast Dimmer will respond appropriately

Owner's Manual and Tech Support

Owner's Manual and current Quick Start Guide: <http://www.insteon.com/support>
Call: INSTEON Support Line at 866-243-8022

¹ If the controller does not have a beeper, wait until its LED begins blinking

² Most models