

I N S T E O N

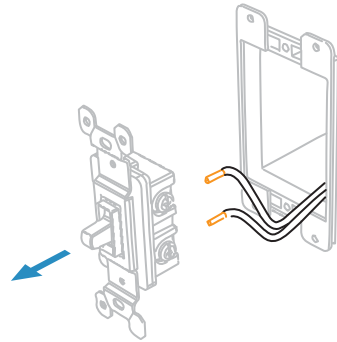
## Getting Started with Insteon Dimmer Switch (2-Wire)



Get Started

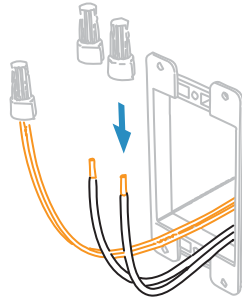
[insteon.com/get-started-2474d](http://insteon.com/get-started-2474d)

- 1 **Turn off power** at the service panel and remove the existing wall switch.

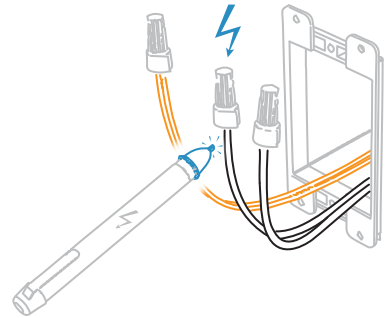


Installation to be performed only  
by a qualified person.

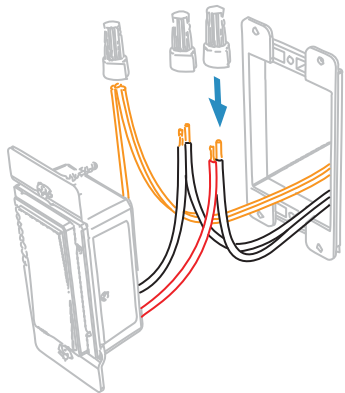
- 2 **Unfold all of the wires** from within the junction box. Separate the black wires and cap them with wire nuts.



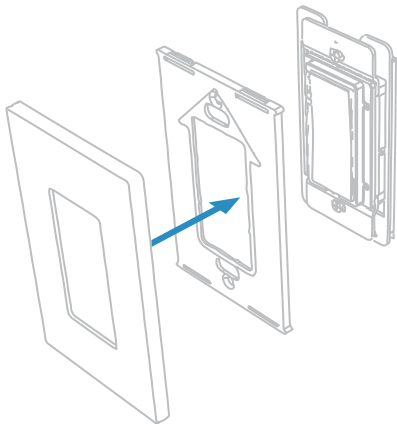
- 3 **Turn on power** and use a voltage detector to identify the live wire; this is your line wire.



- 4 **Turn off power** and connect the corresponding wires from the junction box with the Insteon Wall Switch and cap them with wire nuts.



- 5 Install the Insteon Wall Switch, attach the wall plate and **turn on power**.



- 6 Follow the instructions in the Insteon app to add Dimmer Switch.



- 7 When prompted, press and hold Dimmer Switch's set button until you hear a double-beep.



Incandescent  
& Halogen



CFL



LED

Only connect incandescent bulbs to Dimmer Switch (2-Wire).

For more documentation, visit:  
[insteon.com/get-started-2474d](http://insteon.com/get-started-2474d)