

I N S T E O N<sup>®</sup>

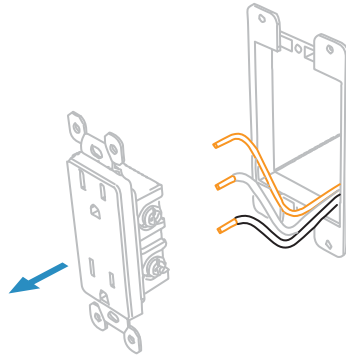
## Getting Started with Insteon Dimmer Outlet



Get Started

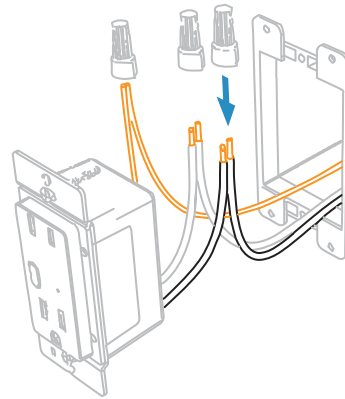
[insteon.com/get-started-2472d](http://insteon.com/get-started-2472d)

- 1 **Turn off power** at the service panel and remove the existing wall outlet.



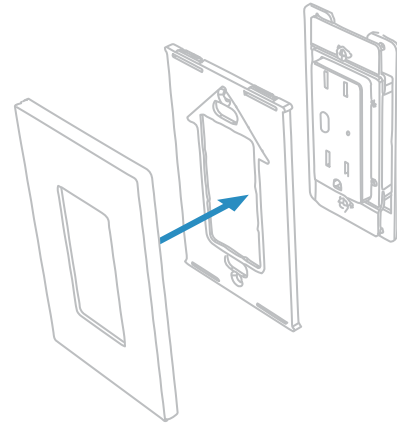
Installation to be performed only  
by a qualified person.

- 2 Connect the corresponding wires from the junction box to the Insteon Wall Outlet and cap them with wire nuts.



Additional wiring diagrams available at  
[insteon.com/get-started-2472d](http://insteon.com/get-started-2472d)

- 3 Install the Insteon Wall Outlet, attach the wall plate and **turn on power**.



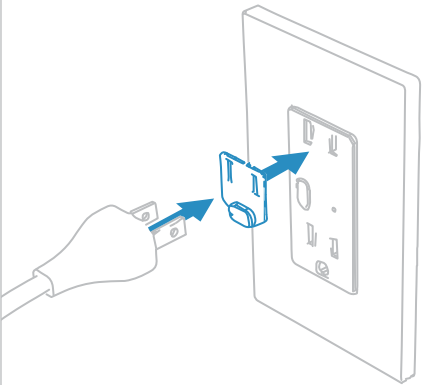
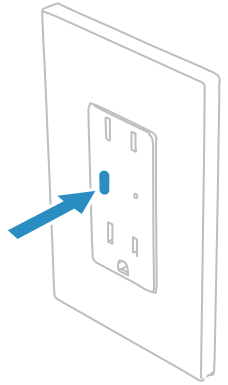
4

Follow the on-screen instructions in the Insteon app to add Dimmer Outlet.



5

When prompted, press and hold Dimmer Outlet's set button until you hear a double-beep.



Dimmer Outlet requires that the Outlet Dimmer Key be fitted to any plug connected to the top, dimmable outlet.



Incandescent & Halogen    Dimmable CFL    Dimmable LED



CFL    LED

Only connect dimmable bulbs to Dimmer Outlet.